

Compact

Extra performance to guaranteed standards

The Stelrad Compact range, including the new K3 three panel, three convector option, comes complete with all the features expected from a market leader and more. Combining the most sophisticated production resources in Europe, with substantial investment directed towards testing and verification of performance data has resulted in the creation of a high output Compact radiator for heating performance that exceeds expectation.

Strictly controlled independent laboratory testing ensures that all Stelrad Compact radiators are guaranteed to perform to a maximum working pressure of 116 psi (8 bar) and conform to BS EN 442 - the European Standard for radiators.

More choice for application flexibility

As a measure of the all round dependable quality and performance, the Stelrad Compact comes complete with a 10 year Manufacturer's Warranty.

A range of 240 models provides extra sizing flexibility and covers a multitude of application requirements.

Included in the range is the Stelrad Compact Towel Rail, perfect for use in bathrooms and cloakrooms which, like the standard Compact radiator, can be fitted to floor standing brackets in situations where there are installation difficulties.

For applications where wall space is at a premium, the Compact Vertex radiator is the answer. With height rather than width to provide the equivalent, outstanding heating performance as the standard model, this stylish radiator provides an innovative option.

Seven heights, ranging from 300mm to 2200mm, and lengths from as little as 400mm right up to 3000mm, the Stelrad Compact range can provide a size and style to fit the most challenging of application requirements.

Superb quality from design to installation

The elegant, integrated top grille and side panels have been specifically designed to eradicate any movement, providing a tight, professional fit, that will remain in place, even after storage, transit and installation.

As you would expect from a radiator with the Stelrad pedigree, the convectors are precision welded directly onto the waterways for greater efficiency and economy, with flexible connection options for the highest of commercial and domestic application specifications.

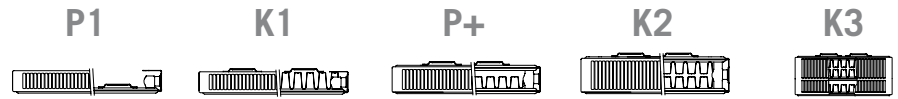
The Stelrad Compact range is manufactured under ISO 9000 quality systems in the UK and every radiator comes wrapped in robust, practical packaging that will keep the product pristine, right through to installation. Protective through storage and transit, the new packaging design also allows installation prior to removal.

With availability nationwide, the Stelrad Compact range is the perfect solution for all Compact radiator applications.



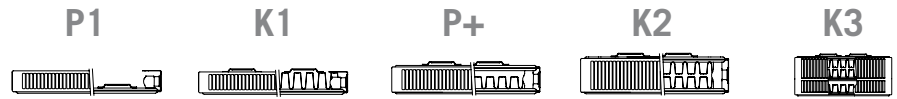
Stelrad Compact

50_{Δt}



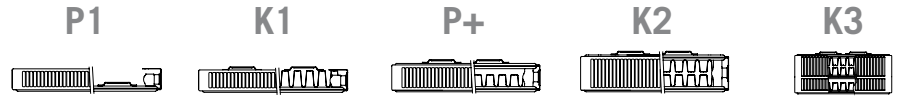
Height	Length mm	Sections	P1			K1			P+			K2			K3		
			UIN	Watt	Btu/hr	UIN	Watt	Btu/hr	UIN	Watt	Btu/hr	UIN	Watt	Btu/hr	UIN	Watt	Btu/hr
300	500	15	-	-	-	143650	255	870	143656	373	1273	143662	491	1675	-	-	-
	1000	30	-	-	-	143651	509	1737	143657	745	2542	143663	982	3351	3033310	1349	4603
	1500	45	-	-	-	143652	764	2607	143658	1118	3815	143664	1473	5026	-	-	-
	2000	60	-	-	-	143653	1018	3473	143659	1490	5084	143665	1964	6701	3033320	2698	9206
	2500	75	-	-	-	143654	1273	4343	143660	1863	6357	143666	2455	8376	-	-	-
	3000	90	-	-	-	143655	1527	5210	143661	2235	7626	143667	2946	10052	-	-	-
	400	12	143668	190	648	143680	302	1030	143698	422	1440	143716	548	1870	-	-	-
	500	15	143669	237	809	143681	378	1290	143699	528	1802	143717	686	2341	-	-	-
	600	18	143670	284	969	143682	454	1549	143700	633	2160	143718	823	2808	-	-	-
	700	21	143671	332	1133	143683	529	1805	143701	739	2521	143719	960	3276	-	-	-
450	800	24	143672	379	1293	143684	605	2064	143702	844	2880	143720	1097	3743	-	-	-
	900	27	143673	427	1457	143685	680	2320	143703	950	3241	143721	1234	4210	-	-	-
	1000	30	143674	474	1617	143686	756	2579	143704	1055	3600	143722	1371	4678	-	-	-
	1100	33	-	-	-	143687	832	2839	143705	1161	3961	143723	1508	5145	-	-	-
	1200	36	143675	569	1941	143688	907	3095	143706	1266	4320	143724	1645	5613	-	-	-
	1400	42	143676	664	2266	143689	1058	3610	143707	1477	5040	143725	1919	6548	-	-	-
	1600	48	143677	758	2586	143690	1210	4129	143708	1688	5759	143726	2194	7486	-	-	-
	1800	54	-	-	-	143691	1361	4644	143709	1899	6479	143727	2468	8421	-	-	-
	2000	60	-	-	-	143692	1512	5159	143710	2110	7199	143728	2742	9356	-	-	-
	2200	66	-	-	-	143693	1663	5674	143711	2321	7919	143729	3016	10291	-	-	-
	2400	72	-	-	-	143694	1814	6189	143712	2532	8639	143730	3290	11225	-	-	-
	2600	78	-	-	-	143695	1966	6708	143713	2743	9359	143731	3565	12164	-	-	-
	2800	84	-	-	-	143696	2117	7223	143714	2954	10079	143732	3839	13099	-	-	-
	3000	90	-	-	-	143697	2268	7738	143715	3165	10799	143733	4113	14034	-	-	-
	600	18	-	-	-	-	-	-	-	-	-	-	-	-	3053306	1234	4210
	700	21	-	-	-	-	-	-	-	-	-	-	-	-	3053307	1439	4910
	800	24	-	-	-	-	-	-	-	-	-	-	-	-	3053308	1645	5613
	900	27	-	-	-	-	-	-	-	-	-	-	-	-	3053309	1850	6312
1000	30	-	-	-	-	-	-	-	-	-	-	-	-	3053310	2056	7015	
1100	33	-	-	-	-	-	-	-	-	-	-	-	-	3053311	2262	7718	
1200	36	-	-	-	-	-	-	-	-	-	-	-	-	3053312	2467	8417	
1400	42	-	-	-	-	-	-	-	-	-	-	-	-	3053314	2878	9820	
1600	48	-	-	-	-	-	-	-	-	-	-	-	-	3053316	3290	11225	
1800	54	-	-	-	-	-	-	-	-	-	-	-	-	3053318	3701	12628	
2000	60	-	-	-	-	-	-	-	-	-	-	-	-	3053320	4112	14030	
2400	72	-	-	-	-	-	-	-	-	-	-	-	-	3053324	4934	16835	
600	400	12	143734	248	846	143746	392	1338	143764	538	1836	143782	693	2365	3063304	956	3262
	500	15	143735	310	1058	143747	490	1672	143765	673	2296	143783	866	2955	3063305	1195	4077
	600	18	143736	371	1266	143748	588	2006	143766	807	2753	143784	1039	3545	3063306	1433	4889
	700	21	143737	433	1477	143749	686	2341	143767	942	3214	143785	1212	4135	3063307	1672	5705
	800	24	143738	495	1689	143750	784	2675	143768	1076	3671	143786	1386	4729	3063308	1911	6520
	900	27	143739	557	1900	143751	882	3009	143769	1211	4132	143787	1559	5319	3063309	2150	7336
	1000	30	143740	619	2112	143752	980	3344	143770	1345	4589	143788	1732	5910	3063310	2389	8151
	1100	33	-	-	-	143753	1078	3678	143771	1480	5050	143789	1905	6500	3063311	2628	8967
	1200	36	143741	743	2535	143754	1176	4013	143772	1614	5507	143790	2078	7090	3063312	2867	9782
	1400	42	143742	867	2958	143755	1372	4681	143773	1883	6425	143791	2425	8274	3063314	3345	11413
	1600	48	143743	990	3378	143756	1568	5350	143774	2152	7343	143792	2771	9455	3063316	3822	13041
	1800	54	-	-	-	143757	1764	6019	143775	2421	8260	143793	3118	10639	3063318	4300	14672
	2000	60	-	-	-	143758	1960	6688	143776	2690	9178	143794	3464	11819	3063320	4778	16303
	2200	66	-	-	-	143759	2156	7356	143777	2959	10096	143795	3810	13000	-	-	-
	2400	72	-	-	-	143760	2352	8025	143778	3228	11014	143796	4157	14184	3063324	5734	19564
	2600	78	-	-	-	143761	2548	8694	143779	3497	11932	143797	4503	15364	-	-	-
	2800	84	-	-	-	143762	2744	9363	143780	3766	12850	143798	4850	16548	-	-	-
	3000	90	-	-	-	143763	2940	10031	143781	4035	13767	143799	5196	17729	-	-	-
400	12	-	-	-	143812	447	1525	143830	612	2088	143848	784	2675	-	-	-	
500	15	-	-	-	143813	559	1907	143831	765	2610	143849	981	3347	3073305	1356	4627	
600	18	-	-	-	143814	670	2286	143832	918	3132	143850	1177	4016	3073306	1627	5551	
700	21	-	-	-	143815	782	2668	143833	1071	3654	143851	1373	4685	3073307	1898	6476	
800	24	-	-	-	143816	894	3050	143834	1224	4176	143852	1569	5353	3073308	2170	7404	
900	27	-	-	-	143817	1005	3429	143835	1377	4698	143853	1765	6022	3073309	2441	8329	
1000	30	-	-	-	143818	1117	3811	143836	1530	5220	143854	1961	6691	3073310	2712	9253	
1100	33	-	-	-	143819	1229	4193	143837	1683	5742	143855	2157	7360	3073311	2983	10178	
1200	36	-	-	-	143820	1340	4572	143838	1836	6264	143856	2353	8028	3073312	3254	11103	
1400	42	-	-	-	143821	1564	5336	143839	2142	7309	143857	2745	9366	3073314	3797	12955	
1600	48	-	-	-	143822	1787	6097	143840	2448	8353	143858	3138	10707	3073316	4339	14805	
1800	54	-	-	-	143823	2011	6862	143841	2754	9397	143859	3530	12044	3073318	4882	16657	
2000	60	-	-	-	143824	2234	7622	143842	3060	10441	143860	3922	13382	3073320	5424	18507	
2200	66	-	-	-	143825	2457	8383	143843	3366	11485	143861	4314	14719	-	-	-	
2400	72	-	-	-	143826	2681	9148	143844	3672	12529	143862	4706	16057	-	-	-	
2600	78	-	-	-	143827	2904	9908	143845	3978	13573	143863	5099	17398	-	-	-	
2800	84	-	-	-	143828	3128	10673	143846	4284	14617	143864	5491	18735	-	-	-	
3000	90	-	-	-	143829	3351	11434	143847	4590	15661	143865	5883	20073	-	-	-	

40_{Δt}



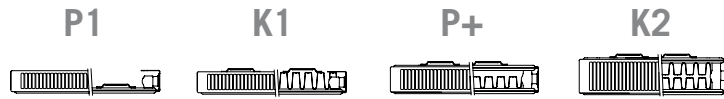
Height	Length mm	Sections	P1			K1			P+			K2			K3		
			UIN	Watt	Btu/hr	UIN	Watt	Btu/hr	UIN	Watt	Btu/hr	UIN	Watt	Btu/hr	UIN	Watt	Btu/hr
300	500	15	-	-	-	143650	191	651	143656	279	952	143662	367	1253	-	-	-
	1000	30	-	-	-	143651	381	1299	143657	557	1901	143663	735	2506	3033310	1009	3443
	1500	45	-	-	-	143652	571	1950	143658	836	2853	143664	1102	3759	-	-	-
	2000	60	-	-	-	143653	761	2598	143659	1115	3803	143665	1469	5012	3033320	2018	6886
	2500	75	-	-	-	143654	952	3249	143660	1394	4755	143666	1836	6266	-	-	-
	3000	90	-	-	-	143655	1142	3897	143661	1672	5704	143667	2204	7519	-	-	-
	400	12	143668	142	485	143680	226	771	143698	316	1077	143716	410	1399	-	-	-
	500	15	143669	177	605	143681	283	965	143699	395	1348	143717	513	1751	-	-	-
	600	18	143670	212	725	143682	340	1159	143700	473	1616	143718	616	2100	-	-	-
	700	21	143671	248	847	143683	396	1350	143701	553	1886	143719	718	2450	-	-	-
450	800	24	143672	283	967	143684	453	1544	143702	631	2154	143720	821	2800	-	-	-
	900	27	143673	319	1090	143685	509	1735	143703	711	2425	143721	923	3149	-	-	-
	1000	30	143674	355	1210	143686	565	1929	143704	789	2693	143722	1026	3499	-	-	-
	1100	33	-	-	-	143687	622	2123	143705	868	2963	143723	1128	3849	-	-	-
	1200	36	143675	426	1452	143688	678	2315	143706	947	3231	143724	1230	4198	-	-	-
	1400	42	143676	497	1695	143689	791	2700	143707	1105	3770	143725	1435	4898	-	-	-
	1600	48	143677	567	1935	143690	905	3088	143708	1263	4308	143726	1641	5599	-	-	-
	1800	54	-	-	-	143691	1018	3474	143709	1420	4847	143727	1846	6299	-	-	-
	2000	60	-	-	-	143692	1131	3859	143710	1578	5385	143728	2051	6998	-	-	-
	2200	66	-	-	-	143693	1244	4244	143711	1736	5924	143729	2256	7697	-	-	-
500	2400	72	-	-	-	143694	1357	4630	143712	1894	6462	143730	2461	8397	-	-	-
	2600	78	-	-	-	143695	1471	5018	143713	2052	7001	143731	2667	9099	-	-	-
	2800	84	-	-	-	143696	1584	5403	143714	2210	7539	143732	2872	9798	-	-	-
	3000	90	-	-	-	143697	1696	5788	143715	2367	8078	143733	3077	10497	-	-	-
	600	18	-	-	-	-	-	-	-	-	-	-	-	-	3053306	923	3149
	700	21	-	-	-	-	-	-	-	-	-	-	-	-	3053307	1076	3673
	800	24	-	-	-	-	-	-	-	-	-	-	-	-	3053308	1230	4198
	900	27	-	-	-	-	-	-	-	-	-	-	-	-	3053309	1384	4722
	1000	30	-	-	-	-	-	-	-	-	-	-	-	-	3053310	1538	5247
	1100	33	-	-	-	-	-	-	-	-	-	-	-	-	3053311	1692	5773
600	1200	36	-	-	-	-	-	-	-	-	-	-	-	3053312	1845	6296	
	1400	42	-	-	-	-	-	-	-	-	-	-	-	3053314	2153	7345	
	1600	48	-	-	-	-	-	-	-	-	-	-	-	3053316	2461	8397	
	1800	54	-	-	-	-	-	-	-	-	-	-	-	3053318	2768	9446	
	2000	60	-	-	-	-	-	-	-	-	-	-	-	3053320	3076	10495	
	2400	72	-	-	-	-	-	-	-	-	-	-	-	3053324	3691	12592	
	400	12	143734	186	633	143746	293	1000	143764	402	1373	143782	518	1769	3063304	715	2440
	500	15	143735	232	791	143747	367	1251	143765	503	1718	143783	648	2210	3063305	894	3050
	600	18	143736	278	947	143748	440	1501	143766	604	2060	143784	777	2652	3063306	1072	3657
	700	21	143737	324	1105	143749	513	1751	143767	705	2404	143785	907	3093	3063307	1251	4267
800	24	143738	370	1263	143750	586	2001	143768	805	2746	143786	1037	3537	3063308	1429	4877	
900	27	143739	417	1422	143751	660	2251	143769	906	3091	143787	1166	3979	3063309	1608	5487	
700	1000	30	143740	463	1580	143752	733	2501	143770	1006	3433	143788	1296	4420	3063310	1787	6097
	1100	33	-	-	-	143753	806	2751	143771	1107	3777	143789	1425	4862	3063311	1966	6707
	1200	36	143741	556	1896	143754	880	3001	143772	1207	4119	143790	1554	5303	3063312	2145	7317
	1400	42	143742	649	2213	143755	1026	3502	143773	1408	4806	143791	1814	6189	3063314	2502	8537
	1600	48	143743	741	2527	143756	1173	4002	143774	1610	5492	143792	2073	7072	3063316	2859	9754
	1800	54	-	-	-	143757	1319	4502	143775	1811	6179	143793	2332	7958	3063318	3216	10974
	2000	60	-	-	-	143758	1466	5002	143776	2012	6865	143794	2591	8841	3063320	3574	12194
	2200	66	-	-	-	143759	1613	5502	143777	2213	7552	143795	2850	9724	-	-	-
	2400	72	-	-	-	143760	1759	6003	143778	2415	8238	143796	3109	10609	3063324	4289	14634
	2600	78	-	-	-	143761	1906	6503	143779	2616	8925	143797	3368	11492	-	-	-
800	2800	84	-	-	-	143762	2053	7003	143780	2817	9611	143798	3628	12378	-	-	-
	3000	90	-	-	-	143763	2199	7503	143781	3018	10298	143799	3887	13261	-	-	-
	400	12	-	-	-	143812	334	1141	143830	458	1562	143848	586	2001	-	-	-
	500	15	-	-	-	143813	418	1427	143831	572	1952	143849	734	2504	3073305	1014	3461
	600	18	-	-	-	143814	501	1710	143832	687	2343	143850	880	3004	3073306	1217	4152
	700	21	-	-	-	143815	585	1996	143833	801	2733	143851	1027	3504	3073307	1420	4844
	800	24	-	-	-	143816	669	2282	143834	916	3124	143852	1174	4004	3073308	1623	5538
	900	27	-	-	-	143817	752	2565	143835	1030	3514	143853	1320	4505	3073309	1826	6230
	1000	30	-	-	-	143818	836	2851	143836	1144	3905	143854	1467	5005	3073310	2029	6922
	1100	33	-	-	-	143819	919	3137	143837	1259	4295	143855	1613	5505	3073311	2231	7613
900	1200	36	-	-	-	143820	1002	3420	143838	1373	4686	143856	1760	6005	3073312	2434	8305
	1400	42	-	-	-	143821	1170	3992	143839	1602	5467	143857	2053	7006	3073314	2840	9691
	1600	48	-	-	-	143822	1337	4561	143840	1831	6248	143858	2347	8009	3073316	3246	11074
	1800	54	-	-	-	143823	1504	5132	143841	2060	7029	143859	2640	9009	3073318	3652	12460
	2000	60	-	-	-	143824	1671	5702	143842	2289	7810	143860	2934	10010	3073320	4057	13843
	2200	66	-	-	-	143825	1838	6271	143843	2518	8591	143861	3227	11010	-	-	-
	2400	72	-	-	-	143826	2005	6842	143844	2747	9372	143862	3520	12011	-	-	-
	2600	78	-	-	-	143827	2172	7412	143845	2976	10153	143863	3814	13014	-	-	-
	2800	84	-	-	-	143828	2340	7983	143846	3204	10934	143864	4107	14014	-	-	-
	3000	90	-	-	-	143829	2507	8552	143847	3433	11714	143865	4400	15014	-	-	-

30_{Δt}



Height	Length mm	Sections	P1			K1			P+			K2			K3		
			UIN	Watt	Btu/hr	UIN	Watt	Btu/hr	UIN	Watt	Btu/hr	UIN	Watt	Btu/hr	UIN	Watt	Btu/hr
300	500	15	-	-	-	143650	131	448	143656	192	655	143662	253	863	-	-	-
	1000	30	-	-	-	143651	262	894	143657	384	1309	143663	506	1726	3033310	695	2370
	1500	45	-	-	-	143652	393	1342	143658	576	1965	143664	759	2588	-	-	-
	2000	60	-	-	-	143653	524	1789	143659	767	2618	143665	1011	3451	3033320	1389	4741
	2500	75	-	-	-	143654	656	2237	143660	959	3274	143666	1264	4314	-	-	-
	3000	90	-	-	-	143655	786	2683	143661	1151	3927	143667	1517	5177	-	-	-
	400	12	143668	98	334	143680	156	531	143698	217	742	143716	282	963	-	-	-
	500	15	143669	122	416	143681	195	664	143699	272	928	143717	353	1205	-	-	-
	600	18	143670	146	499	143682	234	798	143700	326	1112	143718	424	1446	-	-	-
	700	21	143671	171	583	143683	272	930	143701	381	1299	143719	494	1687	-	-	-
450	800	24	143672	195	666	143684	312	1063	143702	435	1483	143720	565	1928	-	-	-
	900	27	143673	220	750	143685	350	1195	143703	489	1669	143721	636	2168	-	-	-
	1000	30	143674	244	833	143686	389	1328	143704	543	1854	143722	706	2409	-	-	-
	1100	33	-	-	-	143687	428	1462	143705	598	2040	143723	777	2650	-	-	-
	1200	36	143675	293	1000	143688	467	1594	143706	652	2225	143724	847	2891	-	-	-
	1400	42	143676	342	1167	143689	545	1859	143707	761	2595	143725	988	3372	-	-	-
	1600	48	143677	390	1332	143690	623	2126	143708	869	2966	143726	1130	3855	-	-	-
	1800	54	-	-	-	143691	701	2392	143709	978	3337	143727	1271	4337	-	-	-
	2000	60	-	-	-	143692	779	2657	143710	1087	3708	143728	1412	4818	-	-	-
	2200	66	-	-	-	143693	856	2922	143711	1195	4078	143729	1553	5300	-	-	-
500	2400	72	-	-	-	143694	934	3188	143712	1304	4449	143730	1694	5781	-	-	-
	2600	78	-	-	-	143695	1012	3455	143713	1413	4820	143731	1836	6264	-	-	-
	2800	84	-	-	-	143696	1090	3720	143714	1521	5191	143732	1977	6746	-	-	-
	3000	90	-	-	-	143697	1168	3985	143715	1630	5561	143733	2118	7227	-	-	-
	600	18	-	-	-	-	-	-	-	-	-	-	-	-	3053306	636	2168
	700	21	-	-	-	-	-	-	-	-	-	-	-	-	3053307	741	2529
	800	24	-	-	-	-	-	-	-	-	-	-	-	-	3053308	847	2891
	900	27	-	-	-	-	-	-	-	-	-	-	-	-	3053309	953	3251
	1000	30	-	-	-	-	-	-	-	-	-	-	-	-	3053310	1059	3613
	1100	33	-	-	-	-	-	-	-	-	-	-	-	-	3053311	1165	3975
600	1200	36	-	-	-	-	-	-	-	-	-	-	-	-	3053312	1271	4335
	1400	42	-	-	-	-	-	-	-	-	-	-	-	-	3053314	1482	5057
	1600	48	-	-	-	-	-	-	-	-	-	-	-	-	3053316	1694	5781
	1800	54	-	-	-	-	-	-	-	-	-	-	-	-	3053318	1906	6503
	2000	60	-	-	-	-	-	-	-	-	-	-	-	-	3053320	2118	7226
	2400	72	-	-	-	-	-	-	-	-	-	-	-	-	3053324	2541	8670
	400	12	143734	128	436	143746	202	689	143764	277	945	143782	357	1218	3063304	492	1680
	500	15	143735	160	545	143747	252	861	143765	347	1183	143783	446	1522	3063305	615	2100
	600	18	143736	191	652	143748	303	1033	143766	416	1418	143784	535	1826	3063306	738	2518
	700	21	143737	223	761	143749	353	1205	143767	485	1655	143785	624	2130	3063307	861	2938
800	24	143738	255	870	143750	404	1378	143768	554	1891	143786	714	2435	3063308	984	3358	
900	27	143739	287	979	143751	454	1550	143769	624	2128	143787	803	2739	3063309	1107	3778	
700	1000	30	143740	319	1088	143752	505	1722	143770	693	2363	143788	892	3043	3063310	1230	4198
	1100	33	-	-	-	143753	555	1894	143771	762	2601	143789	981	3347	3063311	1353	4618
	1200	36	143741	383	1306	143754	606	2066	143772	831	2836	143790	1070	3651	3063312	1477	5038
	1400	42	143742	447	1523	143755	707	2411	143773	970	3309	143791	1249	4261	3063314	1723	5878
	1600	48	143743	510	1740	143756	808	2755	143774	1108	3781	143792	1427	4869	3063316	1968	6716
	1800	54	-	-	-	143757	908	3100	143775	1247	4254	143793	1606	5479	3063318	2215	7556
	2000	60	-	-	-	143758	1009	3444	143776	1385	4727	143794	1784	6087	3063320	2461	8396
	2200	66	-	-	-	143759	1110	3788	143777	1524	5199	143795	1962	6695	-	-	-
	2400	72	-	-	-	143760	1211	4133	143778	1662	5672	143796	2141	7305	3063324	2953	10076
	2600	78	-	-	-	143761	1312	4477	143779	1801	6145	143797	2319	7913	-	-	-
2800	84	-	-	-	143762	1413	4822	143780	1939	6618	143798	2498	8522	-	-	-	
3000	90	-	-	-	143763	1514	5166	143781	2078	7090	143799	2676	9130	-	-	-	
400	12	-	-	-	143812	230	785	143830	315	1075	143848	404	1378	-	-	-	
500	15	-	-	-	143813	288	982	143831	394	1344	143849	505	1724	3073305	698	2383	
600	18	-	-	-	143814	345	1177	143832	473	1613	143850	606	2068	3073306	838	2859	
700	21	-	-	-	143815	403	1374	143833	552	1882	143851	707	2413	3073307	977	3335	
800	24	-	-	-	143816	460	1571	143834	630	2151	143852	808	2757	3073308	1118	3813	
900	27	-	-	-	143817	518	1766	143835	709	2420	143853	909	3101	3073309	1257	4289	
1000	30	-	-	-	143818	575	1963	143836	788	2688	143854	1010	3446	3073310	1397	4765	
1100	33	-	-	-	143819	633	2160	143837	867	2957	143855	1111	3790	3073311	1536	5242	
1200	36	-	-	-	143820	690	2355	143838	946	3226	143856	1212	4135	3073312	1676	5718	
1400	42	-	-	-	143821	805	2748	143839	1103	3764	143857	1414	4823	3073314	1955	6672	
1600	48	-	-	-	143822	920	3140	143840	1261	4302	143858	1616	5514	3073316	2235	7624	
1800	54	-	-	-	143823	1036	3534	143841	1418	4839	143859	1818	6203	3073318	2514	8579	
2000	60	-	-	-	143824	1151	3926	143842	1576	5377	143860	2020	6892	3073320	2793	9531	
2200	66	-	-	-	143825	1265	4317	143843	1733	5915	143861	2222	7580	-	-	-	
2400	72	-	-	-	143826	1381	4711	143844	1891	6452	143862	2424	8269	-	-	-	
2600	78	-	-	-	143827	1496	5103	143845	2049	6990	143863	2626	8960	-	-	-	
2800	84	-	-	-	143828	1611	5496	143846	2206	7528	143864	2828	9649	-	-	-	
3000	90	-	-	-	143829	1726	5888	143847	2364	8065	143865	3030	10337	-	-	-	

Weights & Measures



Height	Length		Wall to tap centre mm			
	mm	in	P1	K1	P+	K2
300	500	19.7	-	51	62	73
	1000	39.4	-	51	62	73
	1500	59.1	-	51	62	73
	2000	78.7	-	51	62	73
	2500	98.4	-	51	62	73
	3000	118.1	-	51	62	73
	400	15.7	46	51	62	73
	500	19.7	46	51	62	73
	600	23.6	46	51	62	73
	700	27.6	46	51	62	73
450	800	31.5	46	51	62	73
	900	35.4	46	51	62	73
	1000	39.4	46	51	62	73
	1100	43.3	-	51	62	73
	1200	47.2	46	51	62	73
	1400	55.1	46	51	62	73
	1600	63.0	46	51	62	73
	1800	70.9	-	51	62	73
	2000	78.7	-	51	62	73
	2200	86.6	-	51	62	73
	2400	94.5	-	51	62	73
	2600	102.4	-	51	62	73
	2800	110.2	-	51	62	73
	3000	118.1	-	51	62	73
	400	15.7	46	51	62	73
	500	19.7	46	51	62	73
	600	23.6	46	51	62	73
	700	27.6	46	51	62	73
600	800	31.5	46	51	62	73
	900	35.4	46	51	62	73
	1000	39.4	46	51	62	73
	1100	43.3	-	51	62	73
	1200	47.2	46	51	62	73
	1400	55.1	46	51	62	73
	1600	63.0	46	51	62	73
	1800	70.9	-	51	62	73
	2000	78.7	-	51	62	73
	2200	86.6	-	51	62	73
	2400	94.5	-	51	62	73
	2600	102.4	-	51	62	73
	2800	110.2	-	51	62	73
	3000	118.1	-	51	62	73
	400	15.7	-	51	62	73
	500	19.7	-	51	62	73
	600	23.6	-	51	62	73
	700	27.6	-	51	62	73
700	800	31.5	-	51	62	73
	900	35.4	-	51	62	73
	1000	39.4	-	51	62	73
	1100	43.3	-	51	62	73
	1200	47.2	-	51	62	73
	1400	55.1	-	51	62	73
	1600	63.0	-	51	62	73
	1800	70.9	-	51	62	73
	2000	78.7	-	51	62	73
	2200	86.6	-	51	62	73
	2400	94.5	-	51	62	73
	2600	102.4	-	51	62	73
	2800	110.2	-	51	62	73
	3000	118.1	-	51	62	73

EN 442 Certification Data – CETIAT tested in accordance with BS EN 442

Type	P1				K1				P+				K2			
	300	450	600	700	300	450	600	700	300	450	600	700	300	450	600	700
Height	306	474	619	715	509	756	980	1117	745	1055	1345	1530	982	1371	1732	1961
W/m at 75/65/20	1.28	1.33	1.33	1.33	1.32	1.31	1.29	1.29	1.33	1.33	1.34	1.34	1.33	1.33	1.33	1.34
n-coefficients	0.68	1.03	1.37	1.60	2.09	3.37	4.66	5.51	2.44	3.84	5.24	6.18	3.51	5.62	7.74	9.15
Heated Surface Area (m ² /m)	6.64	9.82	13.00	15.12	9.31	14.51	19.70	22.90	14.29	22.04	29.80	34.50	16.80	25.90	35.00	40.53
Weight (kg/m)	1.89	2.57	3.25	3.77	1.89	2.57	3.25	3.77	3.70	5.15	6.60	7.63	3.70	5.15	6.60	7.63
Water Contents (l/m)																

Weights & Measures

K3



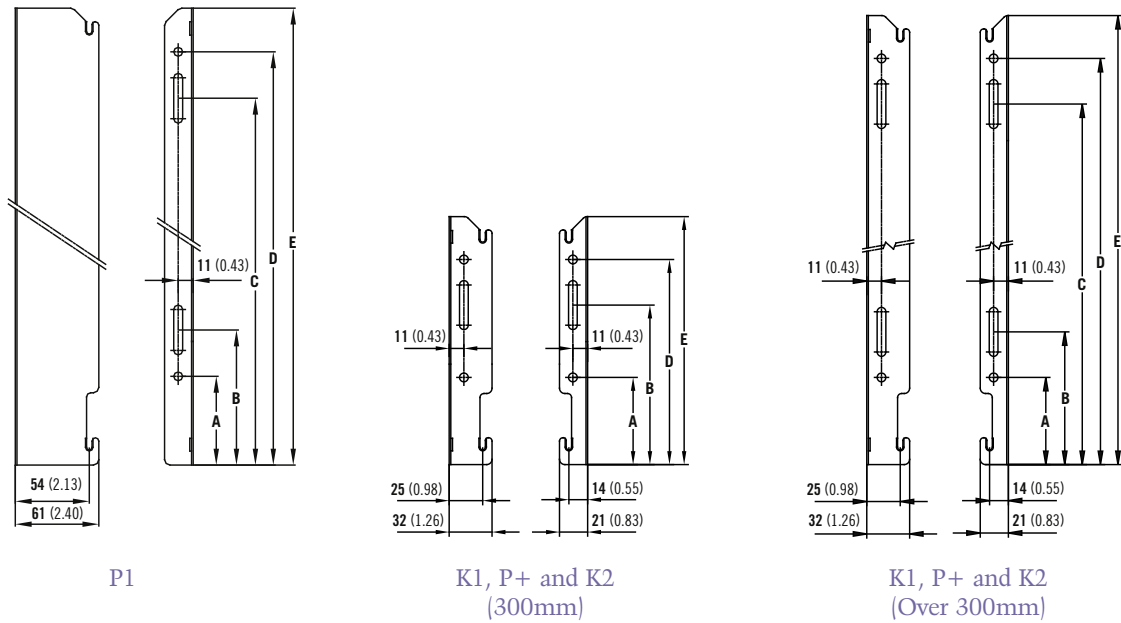
Height	Length		Wall to tap centre mm
	mm	in	
300	1000	39.4	73
	2000	78.7	73
500	600	23.6	73
	700	27.6	73
	800	31.5	73
	900	35.4	73
	1000	39.4	73
	1100	43.3	73
	1200	47.2	73
	1400	55.1	73
	1600	63.0	73
	1800	70.9	73
	2000	78.7	73
	2400	94.5	73
600	400	15.7	73
	500	19.7	73
	600	23.6	73
	700	27.6	73
	800	31.5	73
	900	35.4	73
	1000	39.4	73
	1100	43.3	73
	1200	47.2	73
	1400	55.1	73
	1600	63.0	73
	1800	70.9	73
2000	78.7	73	
2400	94.5	73	
700	500	19.7	73
	600	23.6	73
	700	27.6	73
	800	31.5	73
	900	35.4	73
	1000	39.4	73
	1100	43.3	73
	1200	47.2	73
	1400	55.1	73
	1600	63.0	73
	1800	70.9	73
	2000	78.7	73

EN 442 Certification Data – CETIAT tested in accordance with BS EN 442

Type	K3			
	300	500	600	700
Height	300	500	600	700
W/m at 75/65/20	1349	2056	2389	2712
n-coefficients	1.31	1.32	1.32	1.34
Heated Surface Area (m ² /m)	5.26	9.49	11.61	13.72
Weight (kg/m)	25.20	43.40	52.50	60.77
Water Contents (l/m)	5.40	8.33	9.80	11.37

Compact mounting brackets

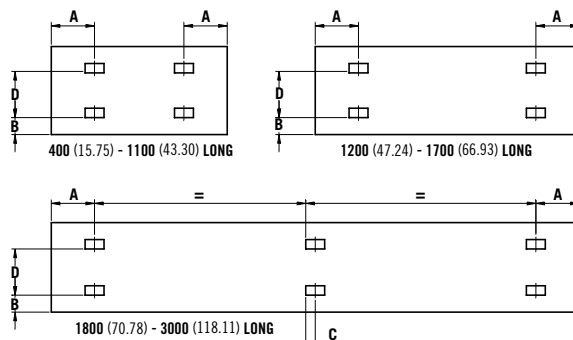
All dimensions in mm. Inches in brackets.



Dimensions	mm	in	mm	in	mm	in	mm	in
	300	11.81	450	17.72	600	23.62	700	27.56
A	65	2.56	65	2.56	65	2.56	65	2.56
B	119	4.69	99	3.90	99	3.90	99	3.90
C	-	-	269	10.59	419	16.50	519	20.43
D	153	6.02	303	11.93	453	17.83	553	21.77
E	185	7.28	335	13.19	485	19.09	585	23.03

K1, P+, K2 and P1 lug positions

All dimensions in mm. Inches in brackets.

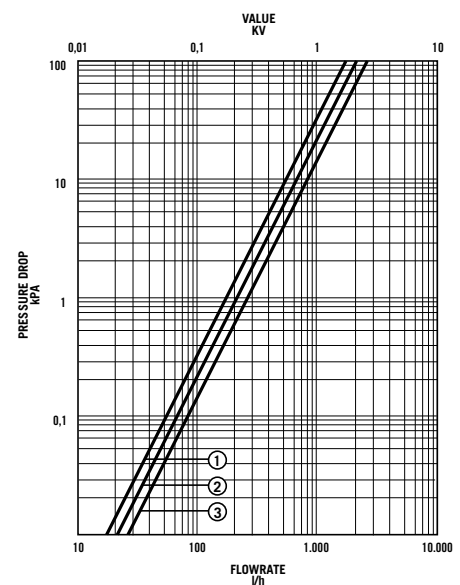


Dimensions		mm	in
A		133	5.24
B		60	2.36

Panel Height		D	
mm	in	mm	in
300	11.81	155	6.10
450	17.72	305	12.01
600	23.62	455	17.91
700	27.56	555	21.95

Dimensions		mm	in
A	400mm	117	4.61
A	500 - 3000mm	150	5.91
B	400 - 3000mm	60	2.36
C	1800 - 3000mm	17	0.67

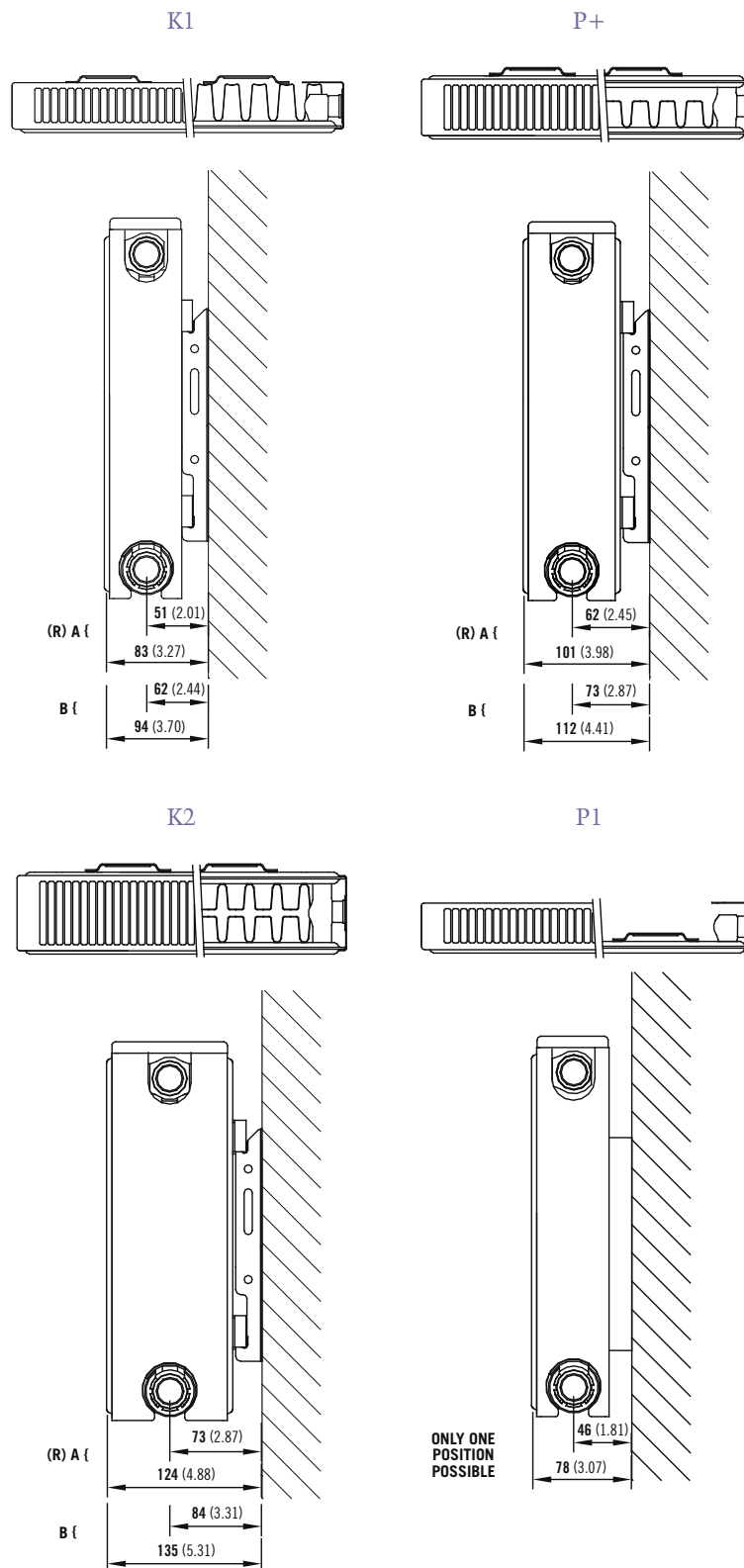
Pressure drops



- ① Type 10 (P1), 11 (K1)
- ② Type 21 (P+), 22 (K2)
- ③ Type 33 (K3)

Compact wall mounting information

All dimensions in mm. Inches in brackets.

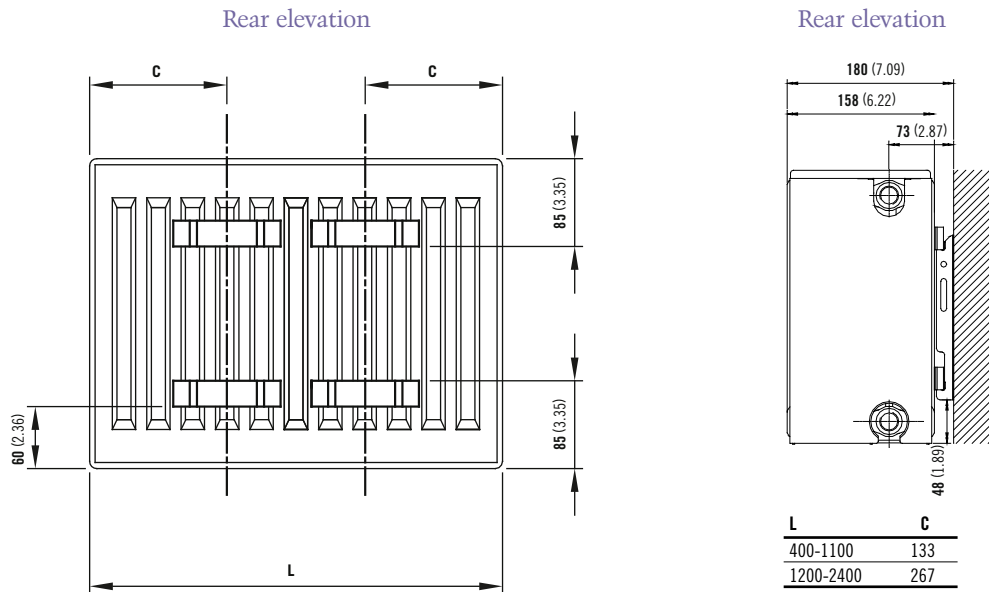


Compact bracket position

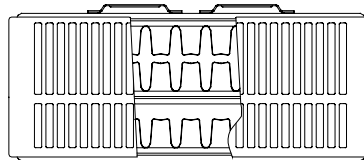
A = Closest to Wall B = Furthest from Wall (R) = Recommended Mounting Position

Compact K3 wall mounting information

All dimensions in mm. Inches in brackets.

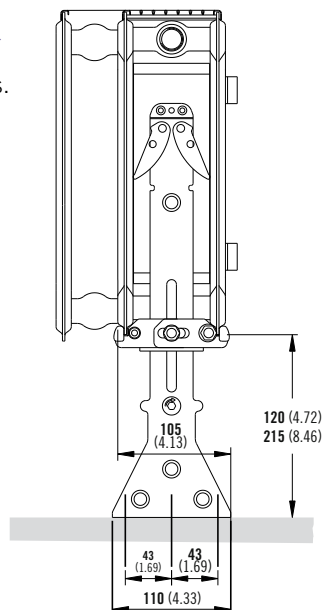


Top elevation



Compact K3 on floorstand

All dimensions in mm. Inches in brackets.





The elegant top grille and side panels have been specifically designed to eradicate movement, providing a tight, professional, quality fit.



Floor standing brackets provide a practical solution for standard and towel rail models, where situations, such as tiled walls, create installation difficulties.



Continental and anti-lift brackets are available for a secure fixing in commercial applications.



Robust packaging protects the product right through to hand over. Installation instructions can be found on the reverse of the identification label.



All fixing requirements are complete within the packaging.



Optional extension pieces for easy replacement.



Optional 3/4 inch valve adaptor for connection without performance reduction.



The Stelrad STARS Heatloss Calculator contains an inbuilt U value calculator.

Save time and effort by using the Stelrad STARS program – the perfect solution for accurate sizing and design flexibility.

Compact temperature table

TEMPERATURES

Factors for differences between mean water temperature and room temperature in °C and °F other than 50°C (90°F)

°C		°F	
5	0.050	10	0.057
10	0.123	20	0.142
15	0.209	30	0.240
20	0.304	40	0.348
25	0.406	50	0.466
30	0.515	60	0.590
35	0.629	70	0.721
40	0.748	80	0.858
45	0.872	90	1.000
50	1.000	100	1.147
55	1.132	110	1.298
60	1.267	120	1.454
65	1.406	130	1.613
70	1.549	140	1.776
75	1.694	-	-

To apply the factors shown in the table above to our quoted outputs, multiply the quoted output by the chosen operating factor to give new output.

To apply the factor to required output, divide required output by factor to give correct radiator from the Stelrad Compact range.

Testing and operating pressures

All models are high pressure tested to withstand 152.3 psi (10.5 bar), to perform at a maximum working pressure of 116 psi (8 bar) at a maximum temperature of 95°C.

Connections

Each Stelrad Compact radiator has 4 x 1/2 inch connections as standard. There is also a 3/4 inch valve adaptor available, which provides a 3/4 inch connector option to the valve without reducing performance.

Applications

Stelrad Compact radiators are suitable for two pipe installations. For single pipe applications, it is advisable to use diversion tees in the pipework, as this will assist in obtaining design performance from the radiators.

Although the Stelrad Compact is suitable for Microbore pipework, the back tappings make it unsuitable for twin entry valves.

Installation

Everything required for installation can be found within the robust packaging.

Brackets are of a strong design, with open top and deep slots, which facilitate easy and secure installation. Plastic inserts seat the radiator precisely on the bracket minimising expansion and contraction noise.

The neat nickel-plated plug and vent provide a watertight joint, whilst complementing the superior finish.

To facilitate easy one off replacement, nickel-plated brass extension pieces are also available for the Stelrad Compact Towel Rail and Compact Standard radiators, complete with sealing washer, in 20mm, 30mm and 40mm options.

Recommended height from the floor to the base of the radiator is 150mm minimum. This allows adequate airflow when the radiator is placed on the bracket.

Caution

When designing for domestic systems, we recommend that the Stelrad Compact be used only in heating systems complying with British Standard Code of Practice for Central Heating for Domestic Premises BS EN 12828:2003 and BS EN 12831:2003.

Single feed, indirect cylinders are not recommended, as should interchange of water occur, fresh aerated water would enter the heating system, resulting in corrosion.

Water treatment

On completion of the installation, the system should be properly flushed and filled in accordance with the British Standard Code of Practice for the Treatment of Water in Domestic Hot Water Central Heating Systems BS 7593:2006.

This will remove flux residues and installation debris, which might promote corrosion and damage within the system.

If it is decided to apply a high performance corrosion inhibitor to maximise the working life of the system, it should be applied in accordance with the manufacturer's instructions and should be suitable for the particular metals within the system.

A comprehensive range of quality chemicals including inhibitors, cleaners, leak sealers and noise reducers that protect and maintain central heating systems can be obtained from:

Sentinel Performance Solutions Ltd
The Heath Business & Technical Park, Runcorn,
Cheshire WA7 4QX

Tel: 01928 588 330 (UK)

After installation of a new Stelrad radiator the central heating system should be cleaned and flushed with Fernox Cleaner F3 / F5 to remove existing contaminants, flux residue and other installation debris which, if left, can cause damage to the new radiator. Afterwards, treat the system with an inhibitor such as Fernox Protector F1 to ensure long term protection against corrosion and limescale.

Independently proven* to maintain system efficiency and achieve gas energy savings of up to 15% every time you heat a room, the combined use of Fernox Cleaner F3 and Protector F1 will ensure long-term performance, reduced carbon emissions and extend system life.

To improve heat transfer efficiency by allowing radiators to reach the desired temperature faster, simply dose the system with Fernox Energy Saver F6 to enjoy gas consumption savings of up to an additional 1.2%.

It is important to comply with British Standard BS 7593:2006; Code of practice for treatment of water in domestic hot water central heating systems, Part L of Building Regulations and Good Practice Guidance for Scotland.

*Carbon Trust 2011.

Fernox - Cookson Electronics,
Forsyth Road, Sheerwater, Woking,
Surrey GU21 5RZ

Tel: 01483 793200

www.fernox.com

Two coat paint process

Each Stelrad Compact radiator is subjected to a multi stage cleaning process before the paint is applied.

This involves several rinsing stages, including an iron phosphate and demineralisation rinse.

The first coat of paint is applied by electrophoresis and the radiator is then stoved and cooled. The second powder coat is applied and the radiator goes through a final curing stage. It is then allowed to cool prior to packaging.